

65 YEARS <sup>1 9 5 2</sup>/<sub>2 0 1 7</sub>

# SHAPING THE FUTURE

Riera Nadeu 

**INNOVATION  
FROM BARCELONA**

**MORE THAN  
2000 PROJECTS  
WORLDWIDE**

**QUALITY  
EQUIPMENT  
SINCE 1952**

**TAYLOR  
MADE  
PROJECTS**

**LOW  
MAINTENANCE  
MACHINES**

**ENERGY  
EFFICIENT  
SOLUTIONS**



***CONTINUOUS SCREEN CENTRIFUGES®***

500

\_Since 1980



INNOVATIONS

- \_Simplicity
- \_Compact design

BENEFITS

- \_Continuous process for high filtering solid cakes
- \_Low maintenance
- \_Reliability at competitive price
- \_Compact design
- \_High "g" factor

CLIENTS



500

## \_Operating principle

LIQUID COLLECTORS  
FILTERING BASKET  
SOLIDS DISCHARGE ENDLESS SCREW

1\_FEEDING PIPE

2\_COLLECTOR/S

3\_BASKET

4\_FILTER MESH OR SCREEN

5\_SOLIDS DISCHARGE ENDLESS SCREW

6\_GEAR BOX

7\_DRIVING BELTS

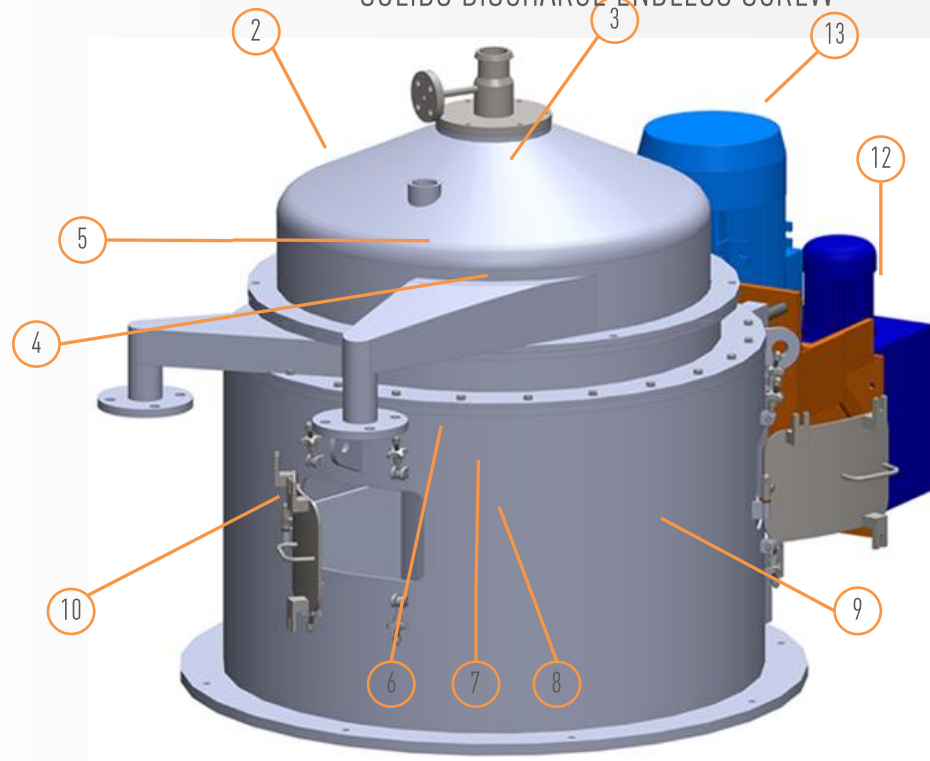
8\_TORQUE LIMITER

9\_FRAME

10\_INSPECTION GATE

11\_MAIN MOTOR

12\_LUBRICATION UNIT



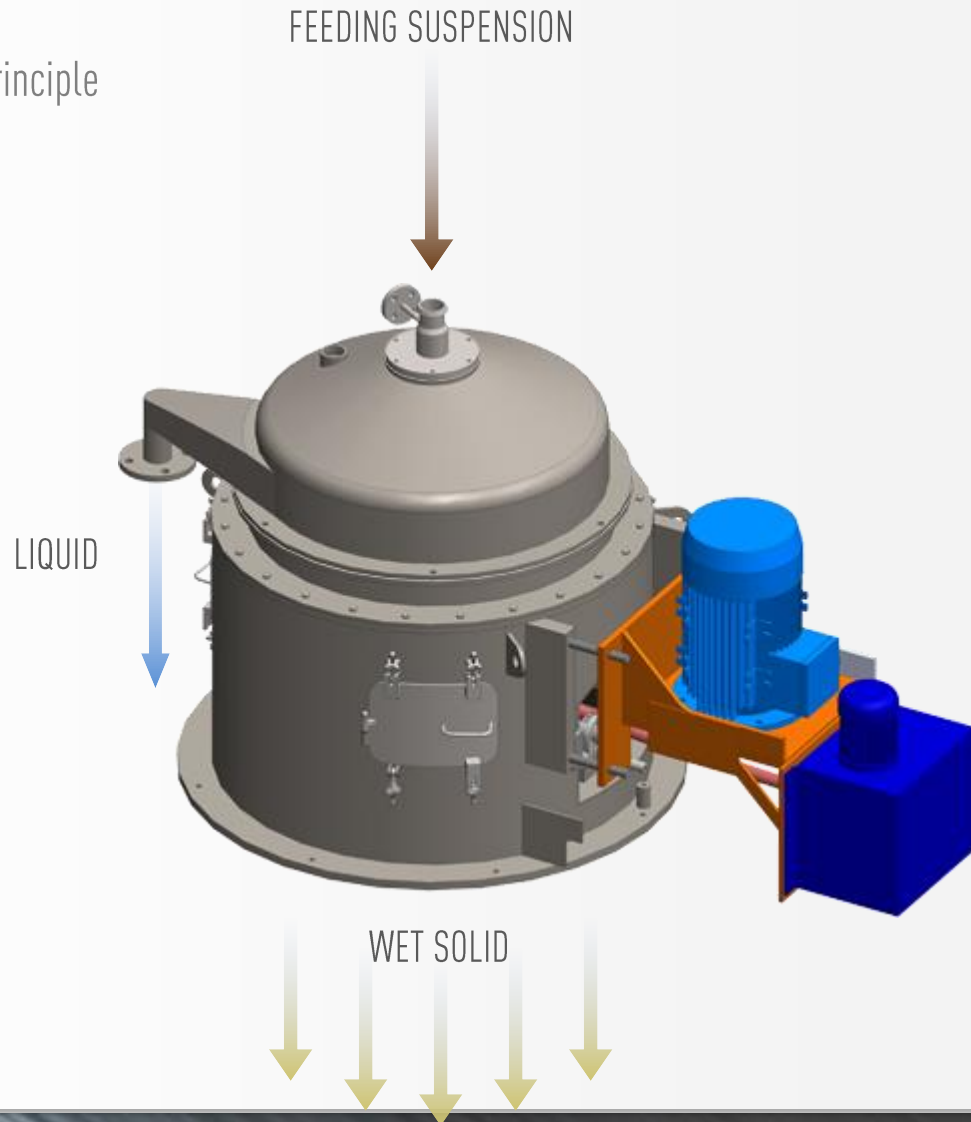
500

\_Operating principle

CONTINUOUS SUSPENSION  
FEEDING ON THE TOP

WASHING AND MOTHER LIQUOR  
COLLECTION ON THE UPPER PART  
OF THE MACHINE

CONTINUOUSLY BOTTOM WET  
SOLID DISCHARGE



500

\_Operating principle

FEEDING SUSPENSION

WASHING

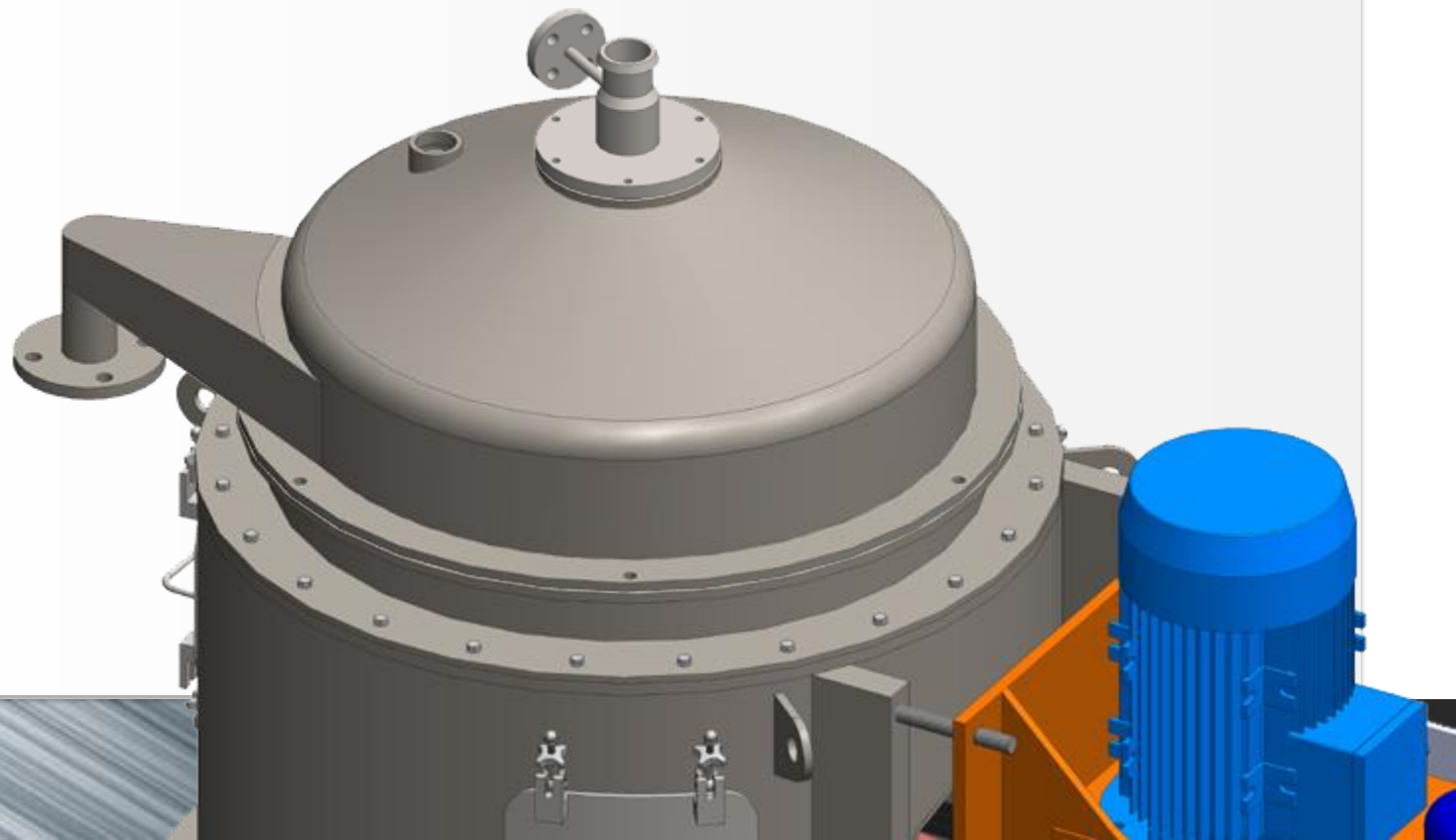
MOTHER LIQUOR

1\_FEEDING SUSPENSION

2\_WASHING

3\_MOTHER LIQUOR

4\_WET SOLID





500

\_Installation



500

\_Product range



## MODELS

BASKET Ø mm	THROUGHPUT M3/h	BASKET RPM	G FACTOR UP TO	DIMMENSIONS (APROX) (H x W x D) mm	BASKET Inch	VOLUME Cu. Ft.	DIMMENSIONS (APROX) Inch
300	1,5-3	3400	2100	1000x1500x1700	11,81	0,5-105	40x59x67
400	4-8	2900	2000	1250x1700x1700	15,75	140-280	50x67x67
500	10-20	3500	1900	1500x2000x1700	19,69	350-700	60x78x67
750	20-35	2000	1750	1800x2300x2000	29,53	700-1200	70x90x79