

RB RIBBON BLENDERS



RB Ribbon Blenders



ribbon blender with extraction screw



central discharge ribbon blender

RB double flight ribbon blenders provide a gentle, delicate mixing action. They are manufactured with a central or total bomb-door discharge, making them suitable for any type of plant layout. Thanks to the mixing action of the four flights that convey materials from the end plates to the centre of the trough and viceversa, high quality blending is achieved, while guaranteeing the integrity of all ingredients, even the most fragile. For this reason, this type of blender is particularly suited to mixing light, delicate and fragile materials (such as flour, cereals, pharmaceutical and infant food ingredients).

All blenders in the RB range can be manufactured in mild steel or stainless steel (304 and 316). Depending on the application, customers can choose from a wide selection of accessories: temperature jackets to heat or cool materials during blending operations, mixing drum insulation, bolted or hinged safety grids, thermocouples, customized discharge spouts, different liquid injection systems, and many more. Moreover, in line with its policy and philosophy, MC² is always available to evaluate, engineer, design and manufacture specific customized solutions to satisfy even the most demanding needs.

RB blenders: the ultimate mixing solution!

Benefits



delicate mixing



batch repeatability



excellent particle distribution



low power consumption



guaranteed scale-up

Tools & Accessories



double ribbon flight



hinged lid with safety grid



ribbon blender with screw

Industries



food



animal feed



chemicals & pharma



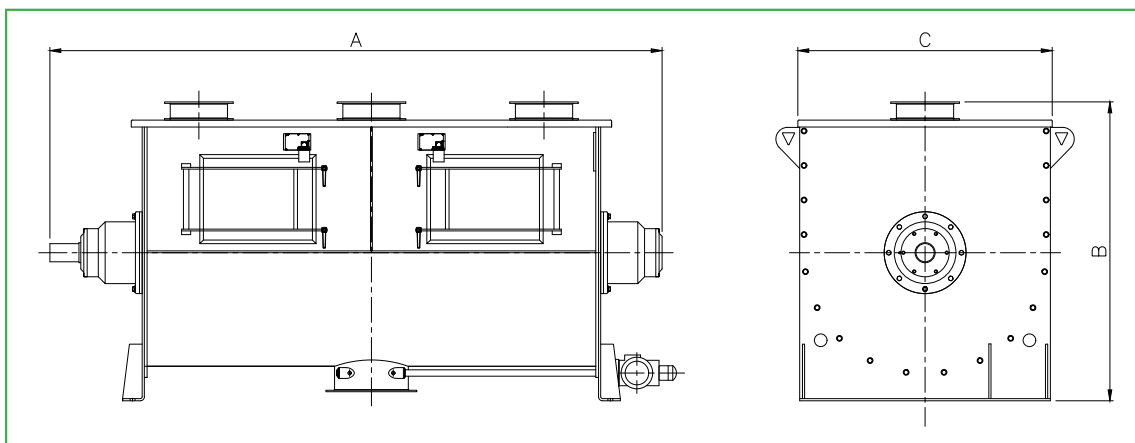
plastics



ribbon blender wine additives



ribbon blender for flour



Mixer Model	Min. Useful Vol (l)	Max. Useful Vol. (l)	A (mm)	B (mm)	C (mm)	Installed Power (kW)
RB 100	55	135	1620	700	500	0.75 ÷ 1.5
RB 150	100	235	1820	800	600	1.1 ÷ 2.2
RB 250	160	370	2040	910	700	1.5 ÷ 3.0
RB 400	240	555	2260	1030	800	2.2 ÷ 4.0
RB 600	340	790	2520	1130	900	3.0 ÷ 5.5
RB 800	460	1080	2740	1240	1000	4.0 ÷ 9.2
RB 1000	620	1440	2980	1360	1100	5.5 ÷ 11.0
RB 1300	800	1875	3220	1470	1200	7.5 ÷ 15.0
RB 1500	910	2120	3360	1520	1250	7.5 ÷ 15.0
RB 1700	1020	2385	3470	1580	1300	9.2 ÷ 18.5
RB 2100	1280	2980	3680	1680	1400	11.0 ÷ 22.0
RB 2500	1570	3660	3880	1790	1500	15.0 ÷ 30.0
RB 3200	1900	4445	4090	1900	1600	18.5 ÷ 37.0
RB 3800	2290	5335	4420	2010	1700	22.0 ÷ 45.0
RB 4500	2720	6340	4540	2120	1800	30.0 ÷ 45.0



MC² Srl
 via S. Domenico, 7
 40124 Bologna - Italy
 T. +39 059 8723725

E. info@mc2-srl.com
 W. www.mc2-srl.com

