

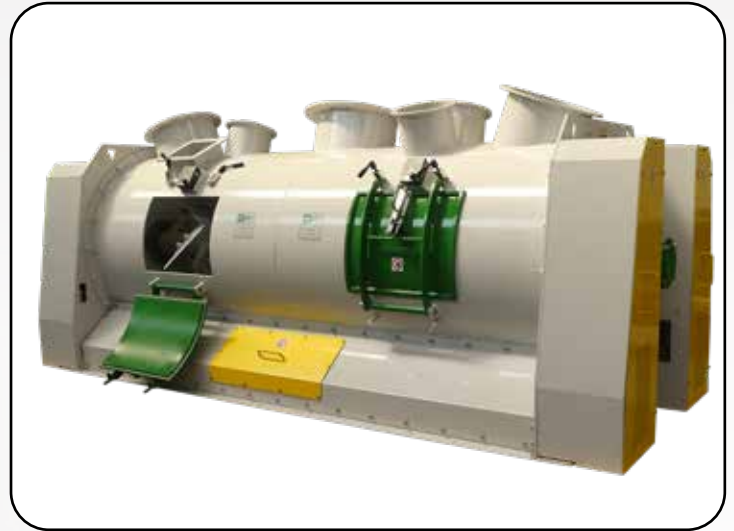
## KB BATCH MIXERS



# KB Batch Mixers



central discharge mixers



total bomb-door mixers

*KB ploughshare batch mixers represent the ideal solution for the user, both in terms of product quality and money saving. Available with a central discharge or a total bomb-bay discharge, they can be included without difficulty in any production plant. Thanks to their short mixing time, top quality performance in terms of particle distribution (up to 1:100,000) and batch repeatability, guaranteed cycle after cycle, these units provide the ideal solution when it comes to flexibility, reliability, performance and return on investment.*

*All KB mixers are available in painted mild steel, stainless steel (304 and 316) and wear-resistant steel. For special applications, different types of drum liners and mixing tool coatings are available on demand.*

*A wide range of accessories provides the user with the ideal mixer configuration (refiners, liquid injection systems, temperature jackets and probes, pneumatic sampling devices, special seals for fine and abrasive materials, multiple inlets and outlets). If and when necessary, tailor-made technical solutions can be engineered, designed and manufactured to meet even the most challenging needs.*

## KB mixers : the ultimate mixing solution

### Benefits



shortest  
mixing time



batch  
repeatability



excellent particle  
distribution



maximum  
saving



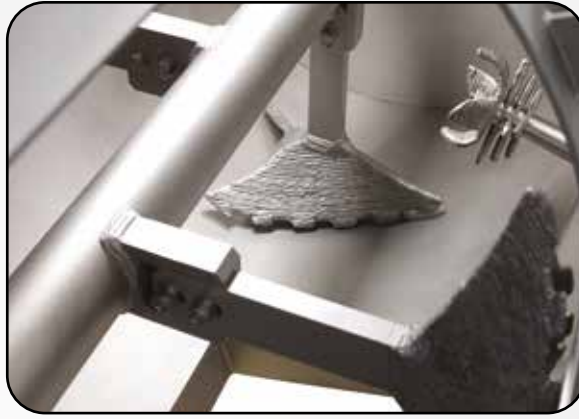
guaranteed  
scale-up



## Tools & Accessories



*high speed refiners*



*plough-type tools*



*internal bolted liner*

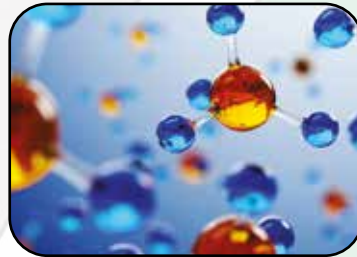
## Industries



*food & animal feed*



*building & construction*



*chemicals & pharma*



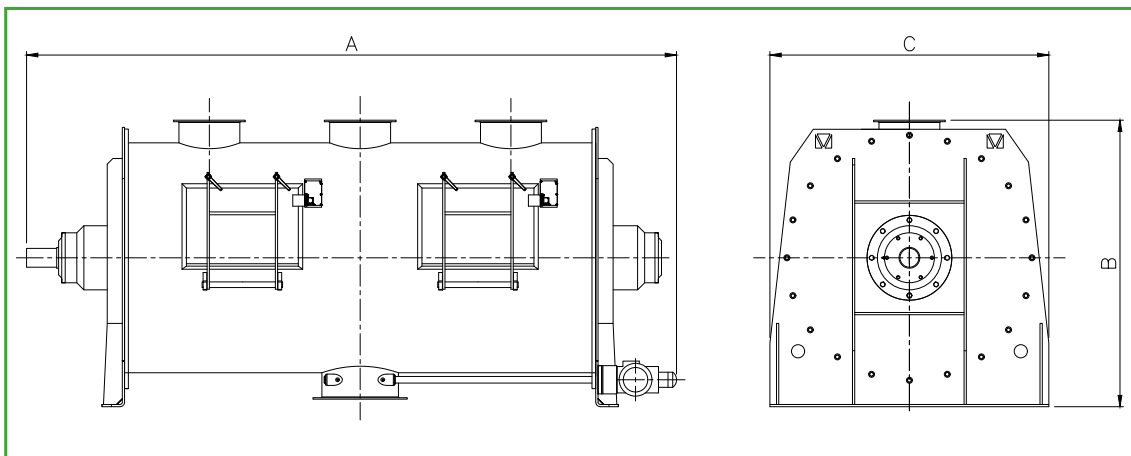
*ecology & biogas*



*KBT mixer for premixed building materials*



*KBC mixer for the tyre industry*



Mixer Model	Min. Useful Vol. (l)	Max. Useful Vol. (l)	A (mm)	B (mm)	C (mm)	Installed Power (kW)
KB 55	20	60	970	580	510	1.1 ÷ 3.0
KB 100	35	105	1120	725	635	1.5 ÷ 4.0
KB 250	85	250	1470	940	825	4.0 ÷ 9.2
KB 400	155	460	1720	1110	975	7.5 ÷ 18.5
KB 600	215	650	2040	1170	1025	9.2 ÷ 22.0
KB 750	275	820	2290	1310	1150	11.0 ÷ 30.0
KB 1000	415	1250	2400	1600	1400	18.5 ÷ 45.0
KB 1300	475	1425	2605	1600	1400	18.5 ÷ 45.0
KB 1700	595	1780	3105	1600	1400	30.0 ÷ 55.0
KB 2000	700	2150	3505	1600	1400	30.0 ÷ 75.0
KB 2500	850	2545	3690	1875	1625	37.0 ÷ 90.0
KB 3300	1150	3445	3720	1995	1750	45.0 ÷ 110.0
KB 3700	1300	3900	4170	2100	1820	55.0 ÷ 132.0
KB 4400	1850	4830	4520	2250	1960	75.0 ÷ 160.0
KB 5500	1940	5825	4720	2350	2060	90.0 ÷ 200.0
KB 8000	2495	7485	4830	2495	2190	110.0 ÷ 250.0
KB 10000	3200	9625	5420	2850	2500	132.0 ÷ 300.0



**MC<sup>2</sup> Srl**  
 via S. Domenico, 7  
 40124 Bologna (BO) Italy  
 T. +39 059 8723725

E. [info@mc2-srl.com](mailto:info@mc2-srl.com)  
 W. [www.mc2-srl.com](http://www.mc2-srl.com)



MC2 KB05 GB OCT 2021