

VERTICAL MIXER HWW

Gentle homogenization and
optimal discharge

TRANSFORMING
MATERIALS INTO VALUE



VERSATILE PROCESS OPTIONS

Achieving precise mixtures.



Homogenizing

Mixing bulk solids reproducibly.



Moistening and coating

Wetting dry materials evenly with liquids.



Inerting

Blanketing sensitive products with inert gas.



Silo function

Buffering and discharging poorly flowing products.



Controlled product discharge

Filling via weight-controlled discharge valves.



Special designs

Chemical, food and heavy duty design including ATEX, EHEDG, GMP and FDA design features.



GENTLE HOMOGENIZATION

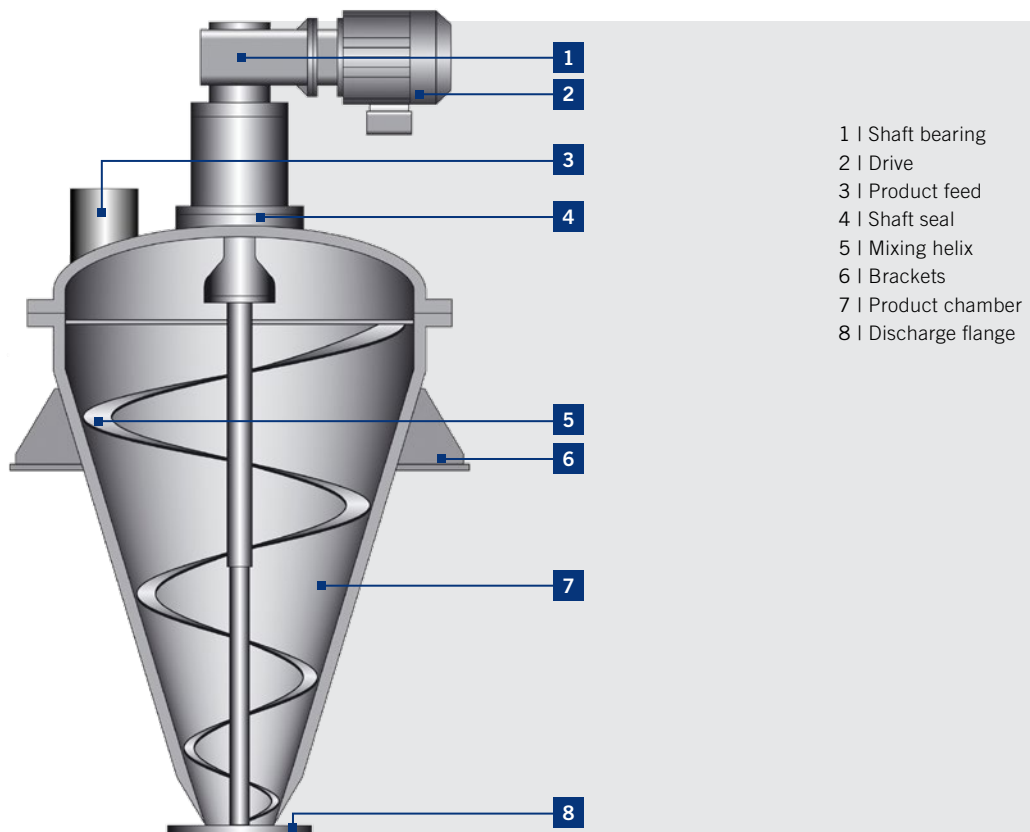
Batch mixing of bulk materials.

The BHS **vertical mixer** is a machine operated in batch mode. It delivers reproducible mixing grades in a short time based on a gentle process. In the center there is a vertically rotating helical blade mixer that ensures three-dimensional movement of the product. All particles are in motion at the same time, resulting in an excellent mixing quality after only a short retention time. The subsequent product discharge takes place at the lowest point of the vessel.

Advantages

- ✓ Homogeneous mixing in short retention time
- ✓ Fully automatic operation
- ✓ Optimum residual discharge
- ✓ Tool-free cleaning with WIP/CIP spray nozzles
- ✓ Easy access via lifting column

Mixer design



[More information](#)

www.bhs-sonthofen.com/hww

TOP PERFORMANCE IN EVERY DETAIL

Benefit from superior technology.



ENERGY-SAVING OPERATION 1

- Low-friction shaft bearing in the gearbox
- Smart control delivers short process times
- Energy-efficient electric motors



LOW-MAINTENANCE DESIGN 2

- Durable design through FEM calculation
- Shaft seal not in contact with product
- Shaft bearing outside of the product chamber



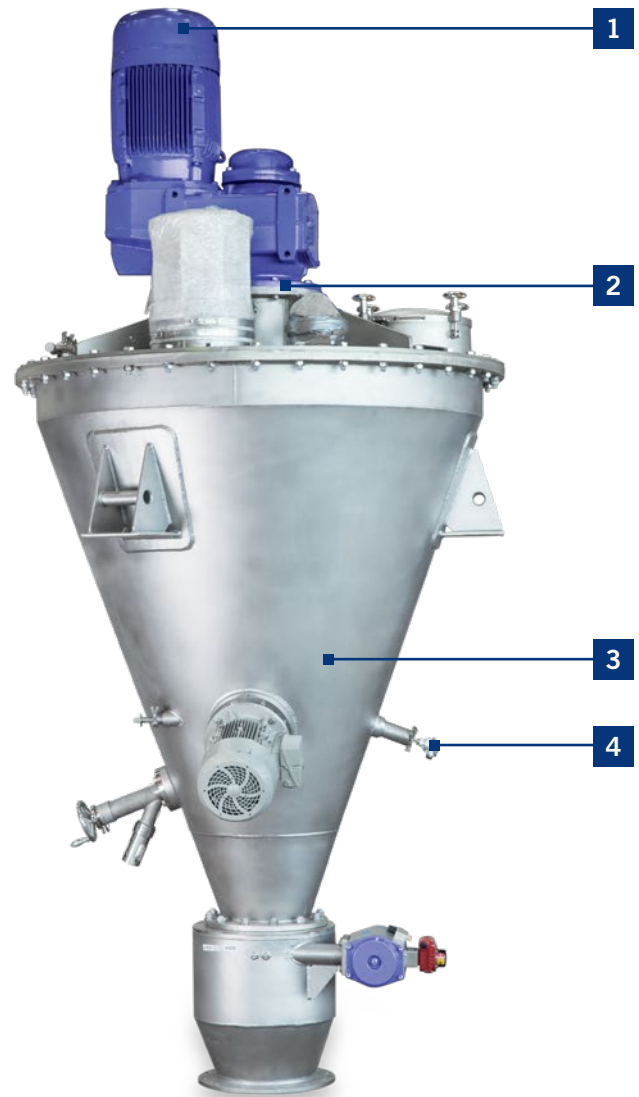
OPTIMUM MIXING QUALITY 3

- BHS helical mixing principle
- Process optimized with baffles and choppers
- Product fluidization by gas supply in the cone



HIGH PLANT SAFETY 4

- Robust design for demanding operating conditions
- Dust and gas-tight system
- Instrument-based process monitoring



801000310_EN, 01 | 2022, © BHS-Sonthofen GmbH – All rights reserved.
Technical data and illustrations are not binding with regard to deliveries. Subject to change without notice.